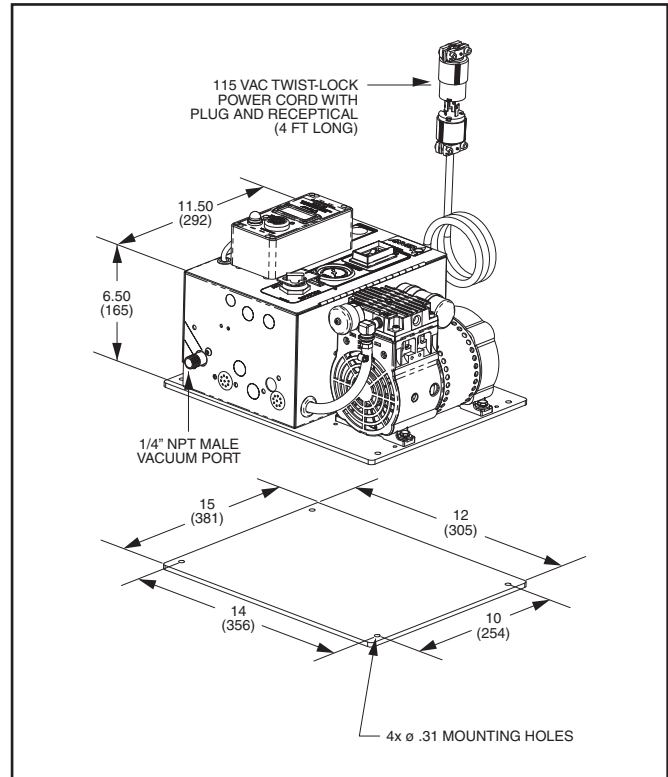


ANVER EP1001 Series of Mini-Vacuum Stations

These low cost, compact electric-powered vacuum stations require little maintenance. A vacuum check valve is provided to maintain vacuum in case of power failure. On clean, smooth, non-porous material, the unit will hold vacuum per ASME Standard B30.20a-2001 for Vacuum Lifting Devices allowing the operator to put down the load safely. A vacuum attach/release valve is included to ensure a consistent attach/release.

Features a quality ANVER electric vacuum pump, a vacuum gauge to monitor vacuum level and now includes VLS-08 vacuum leakage warning system. Continuously running vacuum pump makes this vacuum station perform well on slightly porous material. An internal vacuum filter with replaceable element protects against contamination.



Specifications:

Model Number	Vacuum Pump No.	Supply Voltage	Vacuum Flow SCFM	Max. Vacuum in. Hg (mm Hg)	Weight lbs. (kg)
EP1001-02	PMP-2.0-116	115-60-1 (3.0 Amps)	2.0	24 (610)	48 (22)
EP1001-04	PMP-4.3HP-116	115-60-1 (4.0 Amps)	4.3	24 (610)	52 (24)