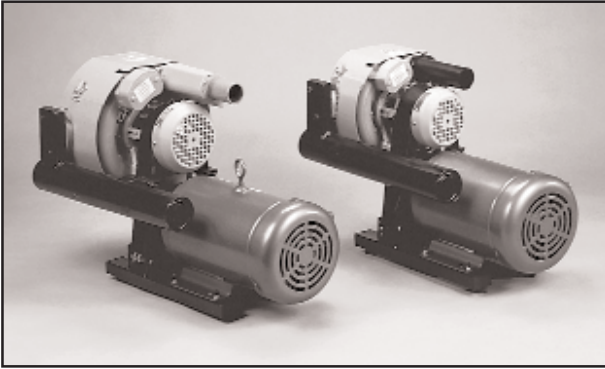


Vacuum Pumps and Generators



High-Flow Belt-Driven Vacuum Pumps and Stations

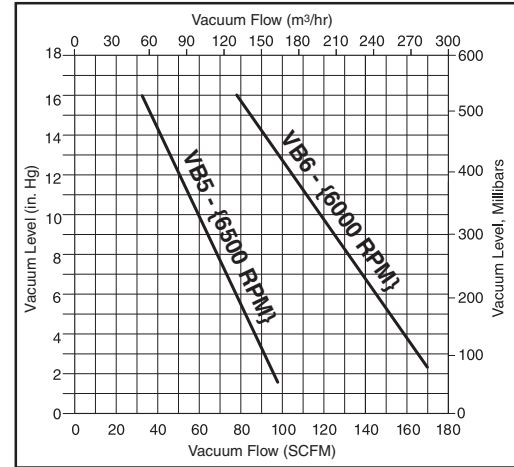
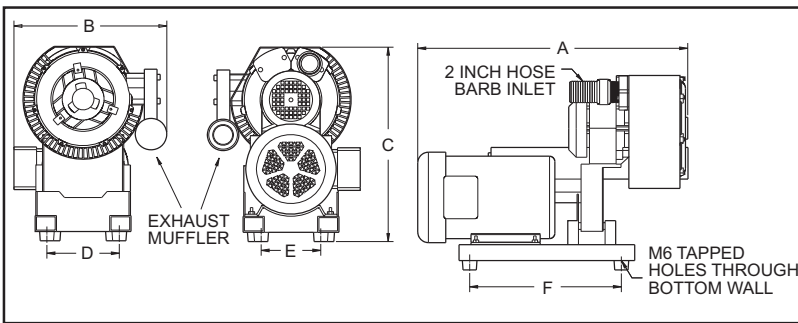


Belt Driven Vacuum Pumps

In addition to our standard line of Regenerative Direct-Drive Vacuum Pumps and Vacuum Stations, ANVER also stocks a complete inventory of replacement parts and complete belt-driven vacuum stations. Many older Vacuum Tube Lifting Systems were built with these belt-driven pumps and we offer various popular sizes all at super competitive prices.

We can cross reference all makes and can ship the same day from stock if they have standard voltages. Custom Vacuum Pump stations usually take a week or so depending on what is required.

Voltage available: Dual Voltage: 230/460 or 220/440 3 phase **Cycle:** 50 and 60 cycle
Single Voltage: 380 or 575 3 phase



Model VB5, VB6 Vacuum Station Specifications

Model Number	'A' in (mm)	'B' in (mm)	'C' in (mm)	'D' in (mm)	'E' in (mm)	'F' in (mm)
VB5-S	24.5 622	13.6 345	18.2 462	6.8 173	5.6 142	14.25 362
VB6-S	27.18 690	15.6 397	19.0 483	6.8 173	5.6 142	14.25 362

Model Number	Description	RPM	hp	Max. Flow SCFM (l/min.)	Flow at: 5" Hg SCFM (l/min.)	Flow at: 10" Hg SCFM (l/min.)	Max. Vacuum in. Hg (mm Hg)	Max. Temp °F (°C)	Sound Level dB	Weight (Kg)	Drive
VB5-S	Vacuum Station, 5.0 hp Belt Drive	6500	5.0	110 (3115)	82 (2322)	60 (1700)	16+ (406+)	240 (116)	77	113 (51)	Belt
VB6-S	Vacuum Station, 7.5 hp Belt Drive	6000	7.5	172 (4871)	142 (4021)	110 (3115)	16+ (406+)	240 (116)	77	141 (64)	Belt

► This spec sheet was adapted for print from our website. Additional information and photos are available at www.anver.com. 5031801