

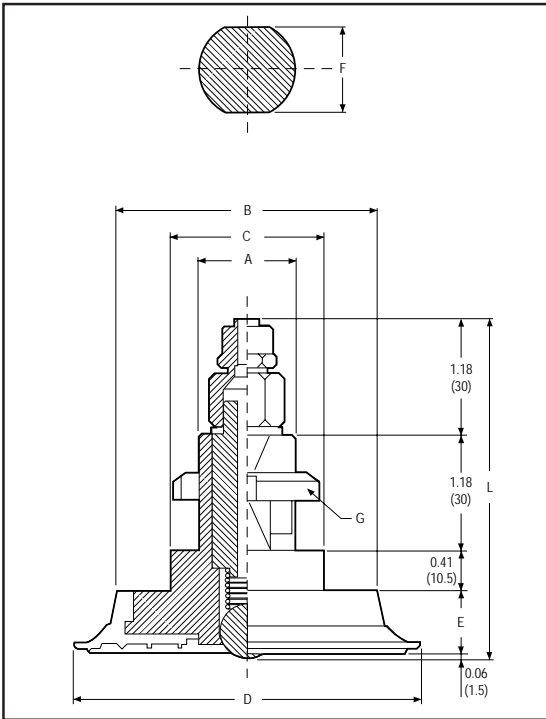


Vacuum Hold-Down Clamps

ANVER Vacuum Hold-Down Clamps provide quick and accurate holding of smooth, non-porous workpieces on benchtops, CNC machine tables and specialized fixturing setups. The vacuum clamps can be arranged to accommodate odd shapes, and release quickly for difficult setup changes. These unique vacuum clamps feature soft rubber seals ideal for holding finished or polished surfaces without scratching or marking. ANVER HDC Vacuum Hold-Down Clamps are ideal for many workholding applications in the metalworking, plastics, glass, stone, and wood paneling industries.

Features:

- Vacuum Hold-Down Clamps are Ideal for holding smooth, flat objects
- Compact, lightweight design
- Available in Four Sizes with choice of Black Nitrile, Translucent Silicone or Blue Vinyl Seals.
- Body is machined from Aluminum for maximum rigidity for Metal or Glass Machining operations
- Bottom Flange provides for Clamp-in-Place Mounting.
- One Ferrule-less Compression Fitting for attaching 6mm OD/4mm ID Plastic Tubes
- Replacement Seals are Interchangeable with ANVER VP Series Vacuum Pads



Part No. without seal	Part No. with Nitrile Seal	Part No. with Silicone Seal	Part No. with Urethane Seal	Part No. with Vinyl Seal
HDC26	HDC26-NBR	HDC26-SIT	HDC26-PUR	HDC26-VYL
HDC36	HDC36-NBR	HDC36-SIT	HDC36-PUR	HDC36-VYL
HDC47	HDC47-NBR	HDC47-SIT	HDC47-PUR	HDC47-VYL
HDC64	HDC64-NBR	HDC64-SIT	HDC64-PUR	HDC64-VYL

Pad Series	A Metric Thread Size & Length	B in. (mm)	C in. (mm)	D in. (mm)	E in. (mm)	F in. (mm)	G	L Metric Ring Gauge
HDC26	25 X 1.5	1.97 (50)	1.57 (40)	2.56 (65)	0.63 (16)	0.87 (22)	KM 5	3.5 (89)
HDC36	25 X 1.5	2.64 (67)	1.57 (40)	3.54 (90)	0.63 (16)	0.87 (22)	KM 5	3.5 (89)
HDC47	25 X 1.5	3.81 (97)	1.57 (40)	4.72 (120)	0.63 (16)	0.87 (22)	KM 5	3.5 (89)
HDC64	35 X 1.5	5.31 (135)	3.15 (80)	6.3 (160)	0.91 (23)	1.26 (32)	KM 7	3.66 (93)

► This spec sheet was adapted for print from our website. Additional information and photos are available at www.anver.com. 6072201