



ANVER Compressed Air Powered Welding Hold-Down Clamps are supplied with a self contained hydraulic ram and pump that develops compressive force to help increase welding production and significantly reduce time and labor costs on a variety of welding operations. These vacuum attachment hold-down clamps can significantly reduce time and labor costs on a variety of welding operations, such as welding beams to plate or in the fabrication of tanks, cylinders and heavy structural sections. They also are an ideal means of raising a sagging plate to beam level.

Welding of U-brackets and the use of wedges can be eliminated. There are no brackets to knock off or tack welds to grind when the welding operation is completed.

The welding hold-down clamp is positioned over the sections to be welded. The vacuum attachment pads, powered by a compressed air venturi, are then activated, creating the holding force. The operator is able to accurately position the pieces to be welded while the hydraulic ram holds the pieces tight, helping to make a secure weld possible. A quick vacuum release valve permits movement of the unit to the next welding point quickly and easily.

### Features:

- Requires less than a minute to set up
- Simply and quickly attach the clamp and begin welding
- Clamp quickly releases for the next weld
- High quality hydraulic rams unlike many low cost mass produced competitive units
- ANVER's Welding Hold-Down Clamps are production quality tools designed for jobs requiring continuous use.
- These clamps quickly remove the gap between the plate and the stiffener. They eliminate the need for lugs, chains, c-clamps, or tack-welding and regrinding from the welding operation.
- The suspension rods are hardened while the frame is made of high tensile steel for maximum strength. The attach and release is extremely fast. The units are powered by an air venturi which is silent and efficient.
- The three largest units feature rugged bolt-on style pads with extended pad covers to protect the sealing rings.
- The ENERPAC® hydraulic ram is of the highest quality to minimize the chance of leakage.
- A suspension hook allows the hold-down clamps to be easily positioned.

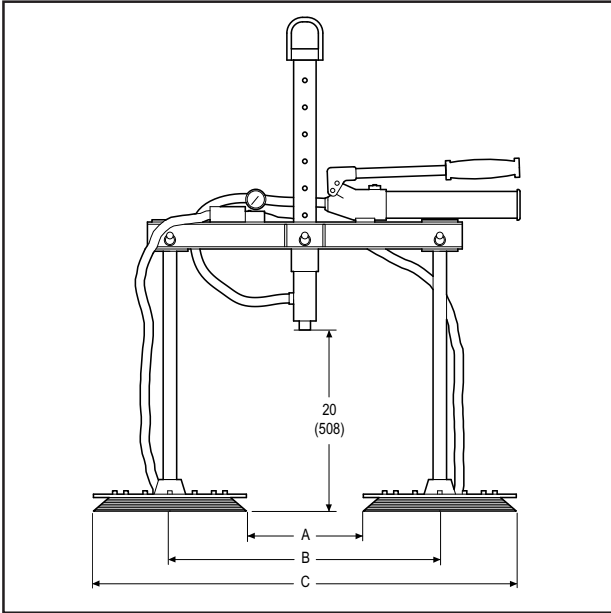
### Compressed Air Powered Welding Hold-Down Clamps include:

- Solid machined steel rods provided for pad suspension.
- Welded, steel tube frame provides maximum strength and eliminates any chance of distortion.
- Steel reinforced clear PVC hose, stainless steel clamps and brass fittings used throughout.



# Vacuum Holding Accessories

## Compressed Air Powered Welding Hold-Down Clamps



### Specifications:

- Air pressure requirements: dry, clean, compressed air of 72 psi
- Air consumption: 2.3 cfm
- Attach/release time: 5 seconds on model WCAL400, faster on smaller models

ANVER Item No.	Rated Load* lb (kg)	Load Force at 1 to 1	A in. (mm)	B in. (mm)	C in. (mm)	Unit Weight lb (kg)	Pad No.	Each Pad Diameter in. (mm)
WCAL050	500 (227)	1000 (454)	14 (356)	24 (610)	34 (864)	55 (25)	VC95-4	10.0 (254)
WCAL100	1000 (454)	2000 (908)	11 (279)	24 (610)	36 (914)	75 (34)	VC119-4	12.5 (318)
WCAL150	1500 (680)	3000 (1360)	15 (381)	30 (762)	45 (1143)	95 (43)	VP145S	14.5 (368)
WCAL250	2500 (1135)	5000 (2270)	11 (279)	30 (762)	49 (1245)	120 (55)	VP185S	18.5 (470)
WCAL400	4000 (1800)	8000 (3600)	14 (356)	36 (914)	58 (1473)	140 (64)	VP215S	22.0 (559)

\* Rated load at 24 in. Hg, with a 2:1 safety factor on vacuum holding.