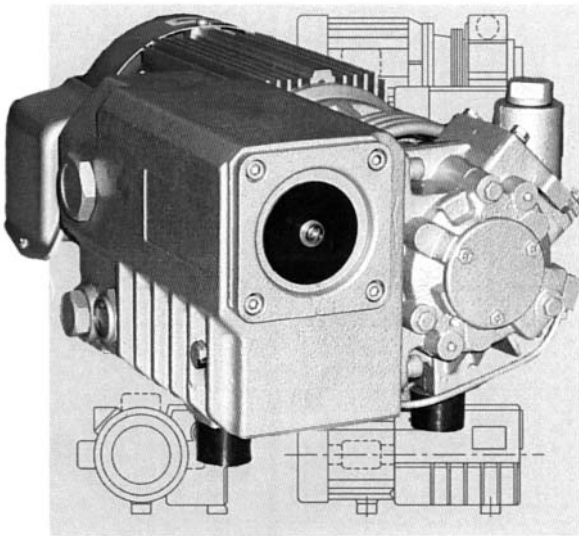


Vacuum Pumps and Generators

Small Oil Lubricated Rotary Vane Vacuum Pumps

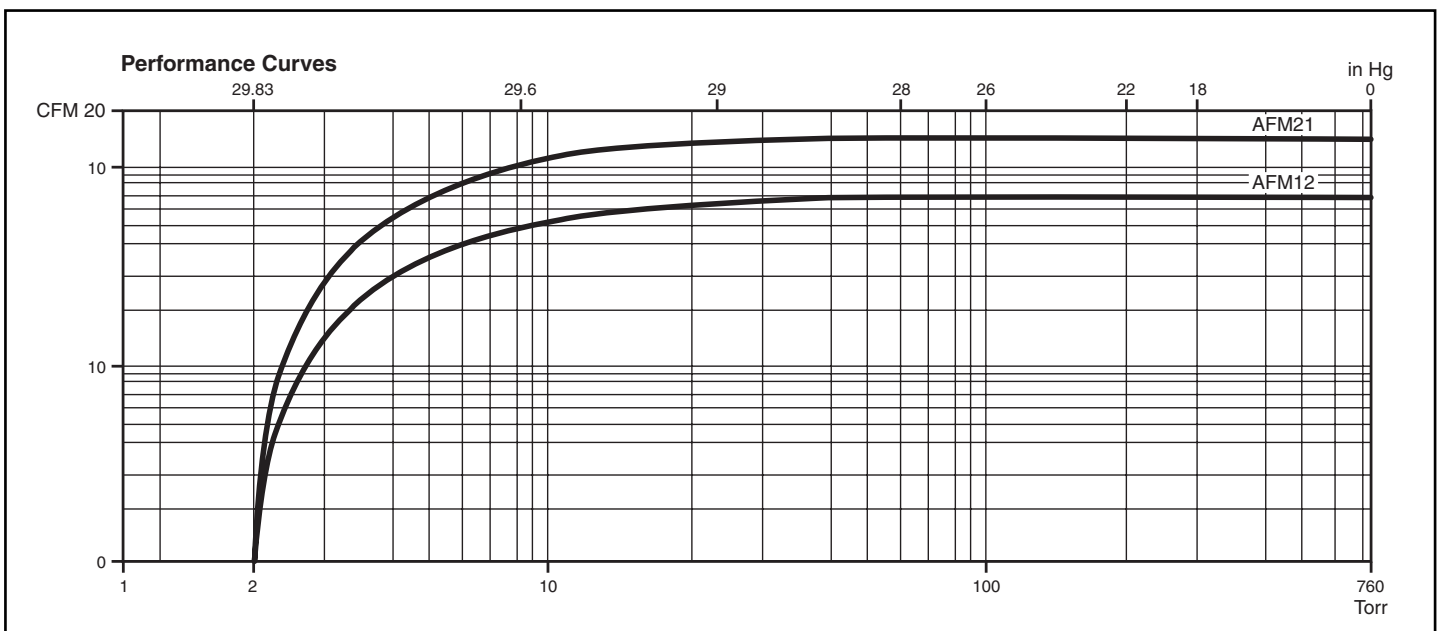
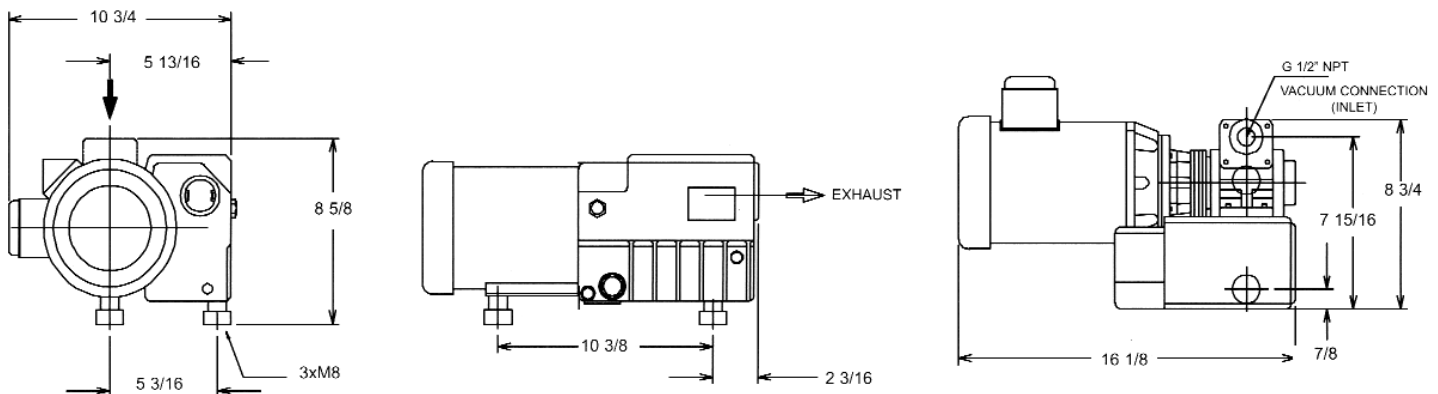


ANVER's oil-flooded, multi-vane vacuum pumps are single stage, air-cooled and direct driven. This simple design ensures the reliability and durability that is required in the vacuum industry.

Features:

- Composite vane material for long life
- Non metal or asbestos
- Oil level site glass
- Vibration isolators
- Anti-suck back valve
- Integral exhaust filters
- TEFC high efficiency tri-voltage motors (208-230/460V 50.60)
- Wire mesh inlet screen
- Excellent performance for the price

AFM12 and AFM21 Series (Shown Above)



► This spec sheet was adapted for print from our website. Additional information and photos are available at www.anver.com. 8013401

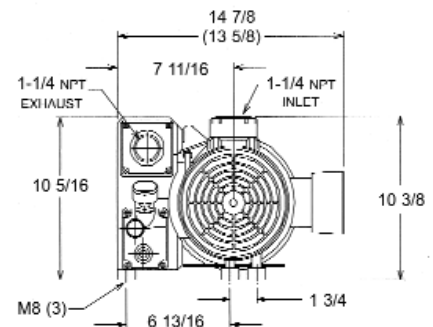
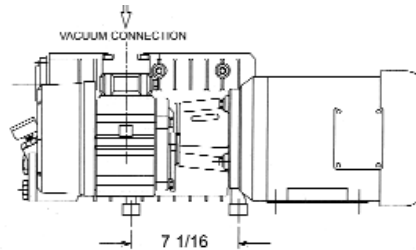
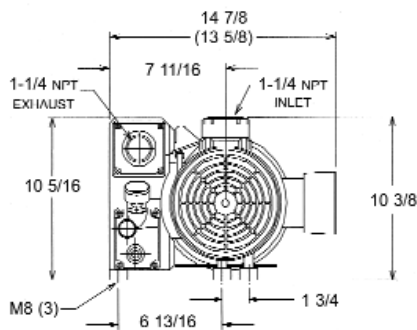
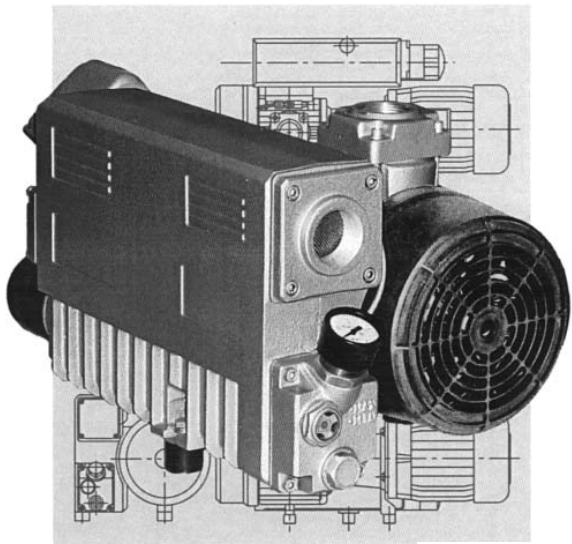


Vacuum Pumps and Generators

Oil Lubricated Rotary Vane Vacuum Pumps

| Model Number | Voltage | Free Air Displacement 60 Hz SCFM (l/m) | Motor Capacity (HP) 60 Hz | Sound Level dB | End. Vacuum Standard | Speed RPM | Oil Qty. Quarts | Shipping Weight lb (kg) |
|--------------|---------|---|---------------------------------|-------------------|-------------------------|--------------|--------------------|-------------------------------|
| AFM12-230 | 230 | 7 (198) | 0.75 | 59 | 2.0 Torr 29.84" Hg | 1750 | .05 | 42 (19) |
| AFM12-460 | 460 | 7 (198) | 0.75 | 59 | 2.0 Torr 29.84" Hg | 1750 | .05 | 42 (19) |
| AFM21-230 | 230 | 15 (425) | 1.00 | 62 | 2.0 Torr 29.84" Hg | 3600 | .05 | 42 (19) |
| AFM21-460 | 460 | 15 (425) | 1.00 | 62 | 2.0 Torr 29.84" Hg | 3600 | .05 | 42 (19) |

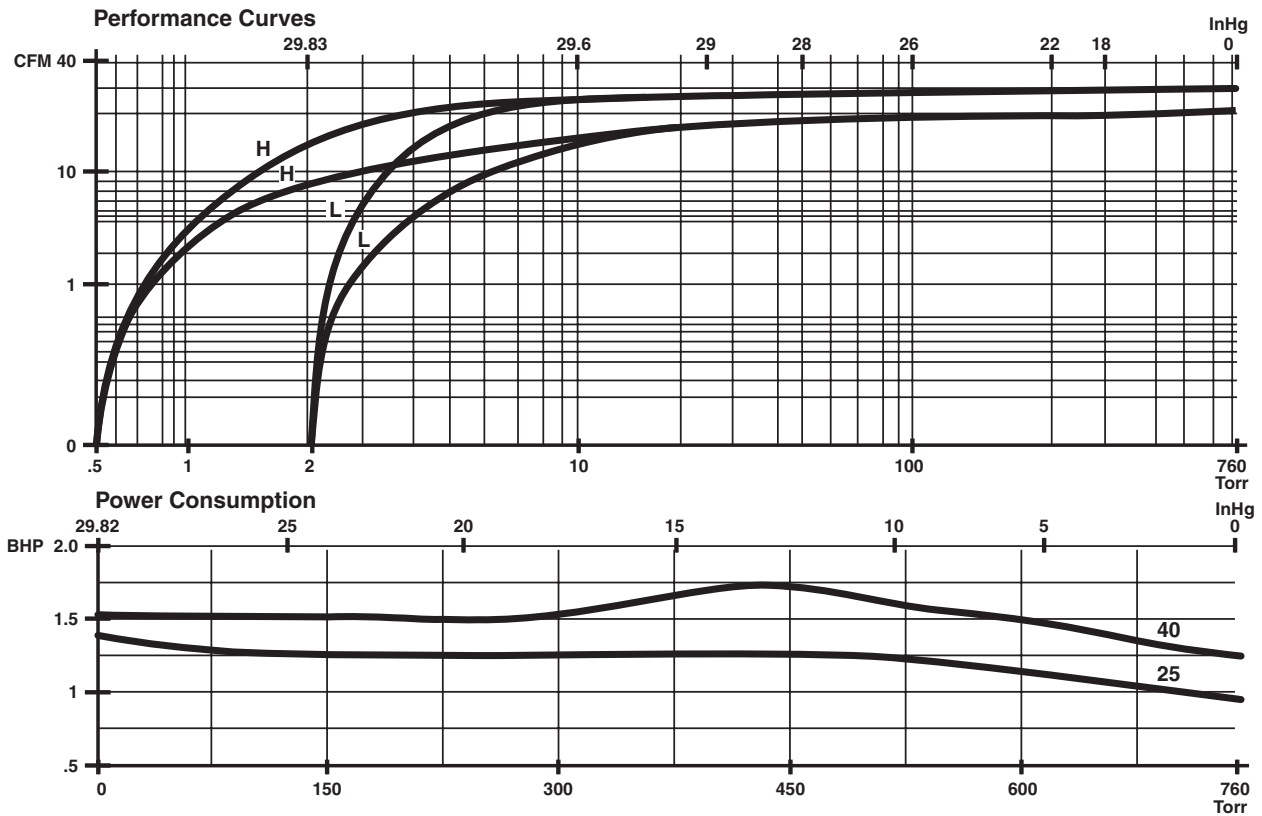
AFM25 and AFM40 Series (Shown Below)



► This spec sheet was adapted for print from our website. Additional information and photos are available at www.anver.com. 8013401

Vacuum Pumps and Generators

Oil Lubricated Rotary Vane Vacuum Pumps



| Model Number | Voltage | Free Air Displacement 60 Hz SCFM (l/m) | Motor Capacity (HP) 60 Hz | Sound Level dB | End. Vacuum Standard | Speed RPM | Oil Qty. Quarts | Shipping Weight lb (kg) |
|--------------|---------|---|---------------------------------|-------------------|-------------------------|--------------|--------------------|----------------------------------|
| AFM25-230L | 230 | 21 (595) | 1.5 | 67 | 2.0 Torr 29.84" Hg | 1725 | 1.0 | 103 (46.8) |
| AFM25-230H | 230 | 21 (595) | 1.5 | 67 | 2.0 Torr 29.90" Hg | 1725 | 1.0 | 103 (46.8) |
| AFM25-460L | 460 | 21 (595) | 1.5 | 67 | 2.0 Torr 29.84" Hg | 1725 | 1.0 | 103 (46.8) |
| AFM25-460H | 460 | 21 (595) | 1.5 | 67 | 2.0 Torr 29.90" Hg | 1725 | 1.0 | 103 (46.8) |
| AFM40-230L | 230 | 31 (878) | 2.0 | 67 | 2.0 Torr 29.84" Hg | 1725 | 1.0 | 116 (52.7) |
| AFM40-230H | 230 | 31 (878) | 2.0 | 67 | 2.0 Torr 29.90" Hg | 1725 | 1.0 | 116 (52.7) |
| AFM40-460L | 460 | 31 (878) | 2.0 | 67 | 2.0 Torr 29.84" Hg | 1725 | 1.0 | 116 (52.7) |
| AFM40-460H | 460 | 31 (878) | 2.0 | 67 | 2.0 Torr 29.90" Hg | 1725 | 1.0 | 116 (52.7) |

► This spec sheet was adapted for print from our website. Additional information and photos are available at www.anver.com. 8013401