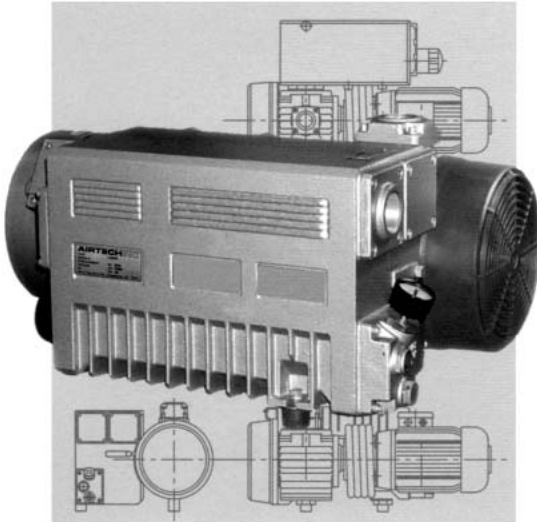


# Vacuum Pumps and Generators



## Medium Oil Lubricated Rotary Vane Vacuum Pumps

### AFM63 and AFM100 Series



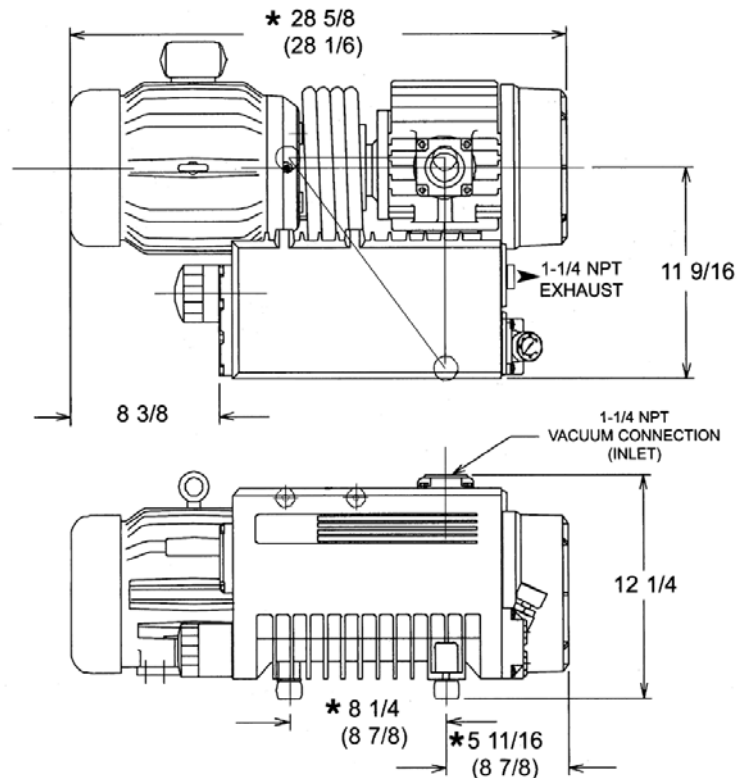
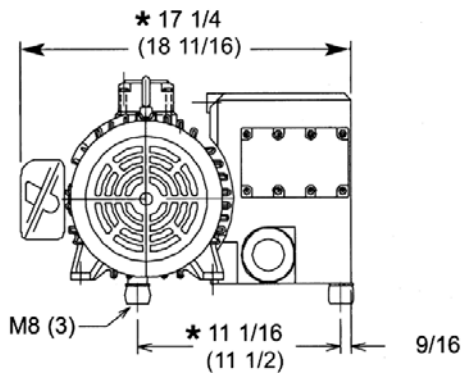
ANVER's oil-flooded, multi-vane vacuum pumps are single stage, air-cooled and direct driven. This simple design ensures the reliability and durability that is required in the vacuum industry.

#### Features:

- Composite vane material for long life
- Non metal or asbestos
- Oil level site glass
- Vibration isolators
- Anti-suck back valve
- Integral exhaust filters
- TEFC high efficiency tri-voltage motors (208-230/460V 50.60)
- Wire mesh inlet screen
- Excellent performance for the price

#### AFM63 \* AFM(100)

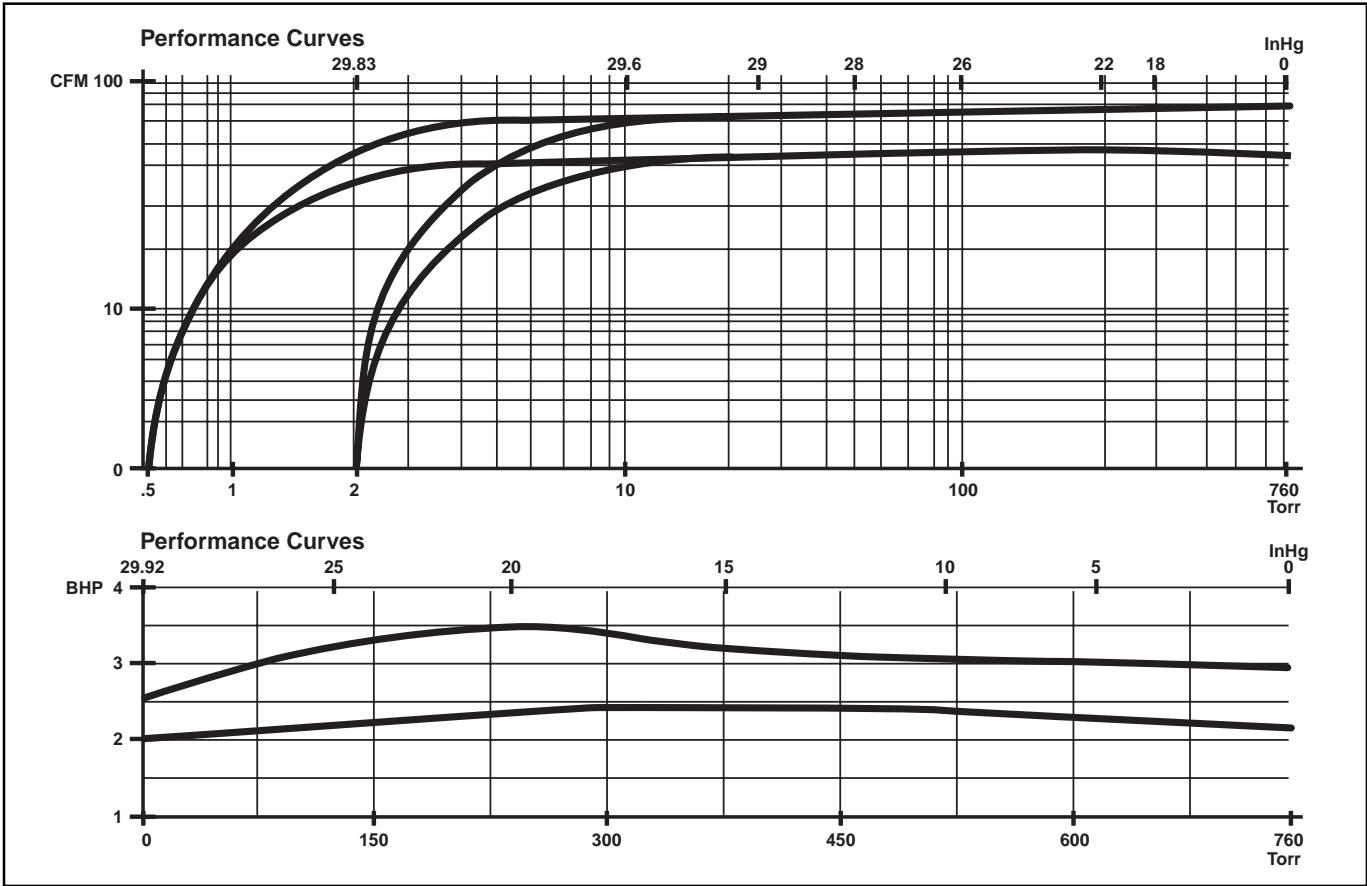
Specifications are subject to change without notice. Please contact factory for specification updates.





# Vacuum Pumps and Generators

## Medium Oil Lubricated Rotary Vane Vacuum Pumps



Model Number	Voltage	Free Air Displacement 60 Hz SCFM (l/m)	Motor Capacity (HP) 60 Hz	Sound Level dB	End. Vacuum Standard	Speed RPM	Oil Qty. Quarts	Shipping Weight lb (kg)
AFM63-230L	230	45 (1275)	3.0	70	2.0 Torr 29.84" Hg	1725	2.0	168 (74.6)
AFM63-230H	230	45 (1275)	3.0	70	0.5 Torr 29.90" Hg	1725	2.0	168 (74.6)
AFM63-460L	460	45 (1275)	3.0	70	2.0 Torr 29.84" Hg	1725	2.0	168 (74.6)
AFM63-460H	460	45 (1275)	3.0	70	0.5 Torr 29.90" Hg	1725	2.0	168 (74.6)
AFM100-230L	230	70 (1982)	5.0	70	2.0 Torr 29.84" Hg	1725	2.0	185 (82.2)
AFM100-230H	230	70 (1982)	5.0	70	0.5 Torr 29.90" Hg	1725	2.0	185 (82.2)
AFM100-460L	460	70 (1982)	5.0	70	2.0 Torr 29.84" Hg	1725	2.0	185 (82.2)
AFM100-460H	460	70 (1982)	5.0	70	0.5 Torr 29.90" Hg	1725	2.0	185 (82.2)

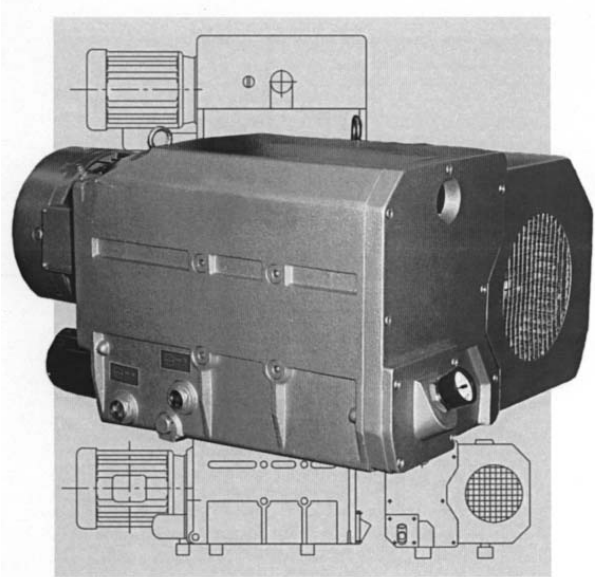
► This spec sheet was adapted for print from our website. Additional information and photos are available at [www.anver.com](http://www.anver.com). 2071401

# Vacuum Pumps and Generators

## Medium Oil Lubricated Rotary Vane Vacuum Pumps



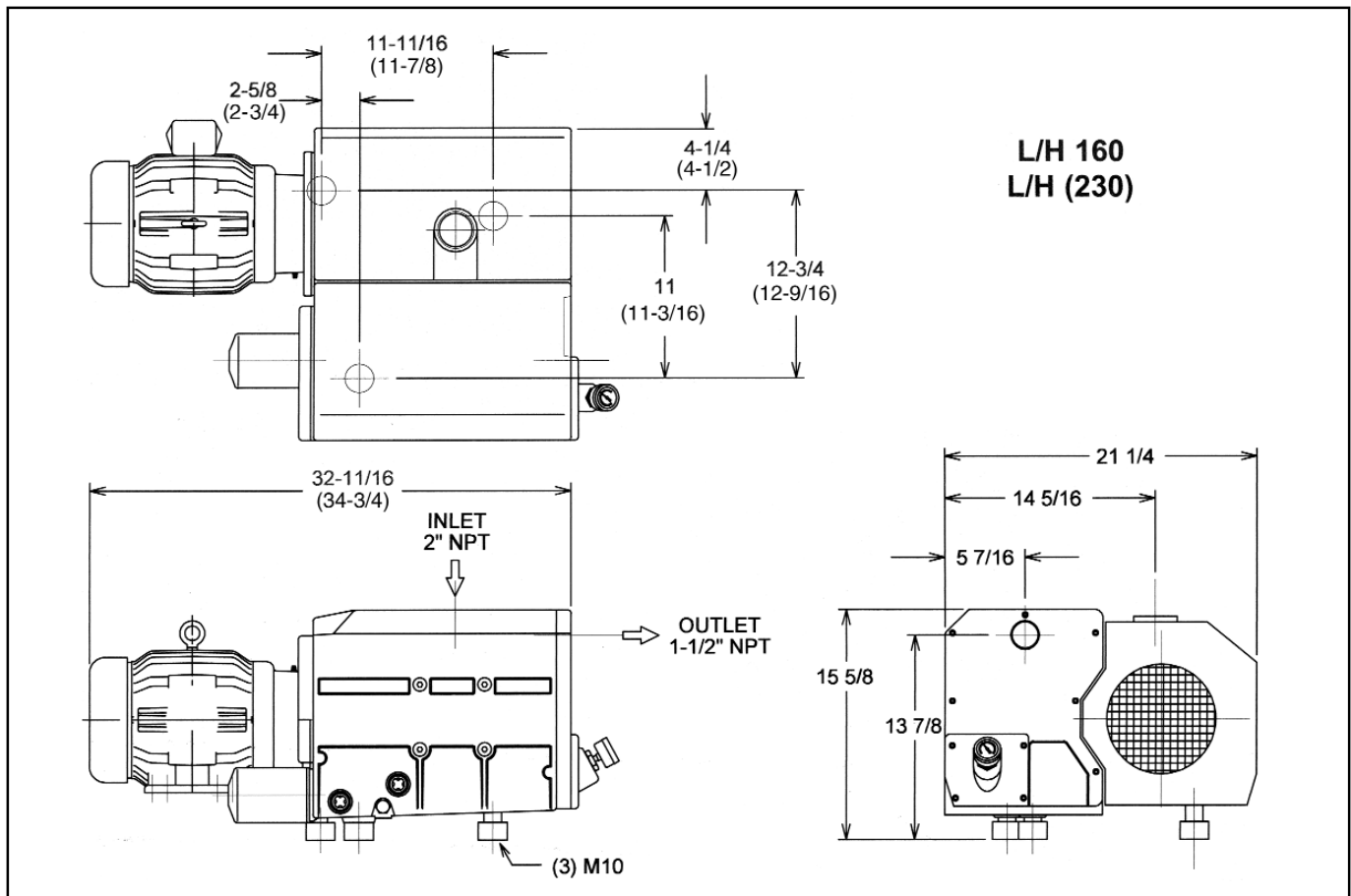
### AFM160 and AFM230 Series



ANVER's oil-flooded, multi-vane vacuum pumps are single stage, air-cooled and direct driven. This simple design ensures the reliability and durability that is required in the vacuum industry.

#### Features:

- Composite vane material for long life
- Non metal or asbestos
- Oil level site glass
- Vibration isolators
- Anti-suck back valve
- Integral exhaust filters
- TEFC high efficiency tri-voltage motors (208-230/460V 50.60)
- Wire mesh inlet screen
- Excellent performance for the price



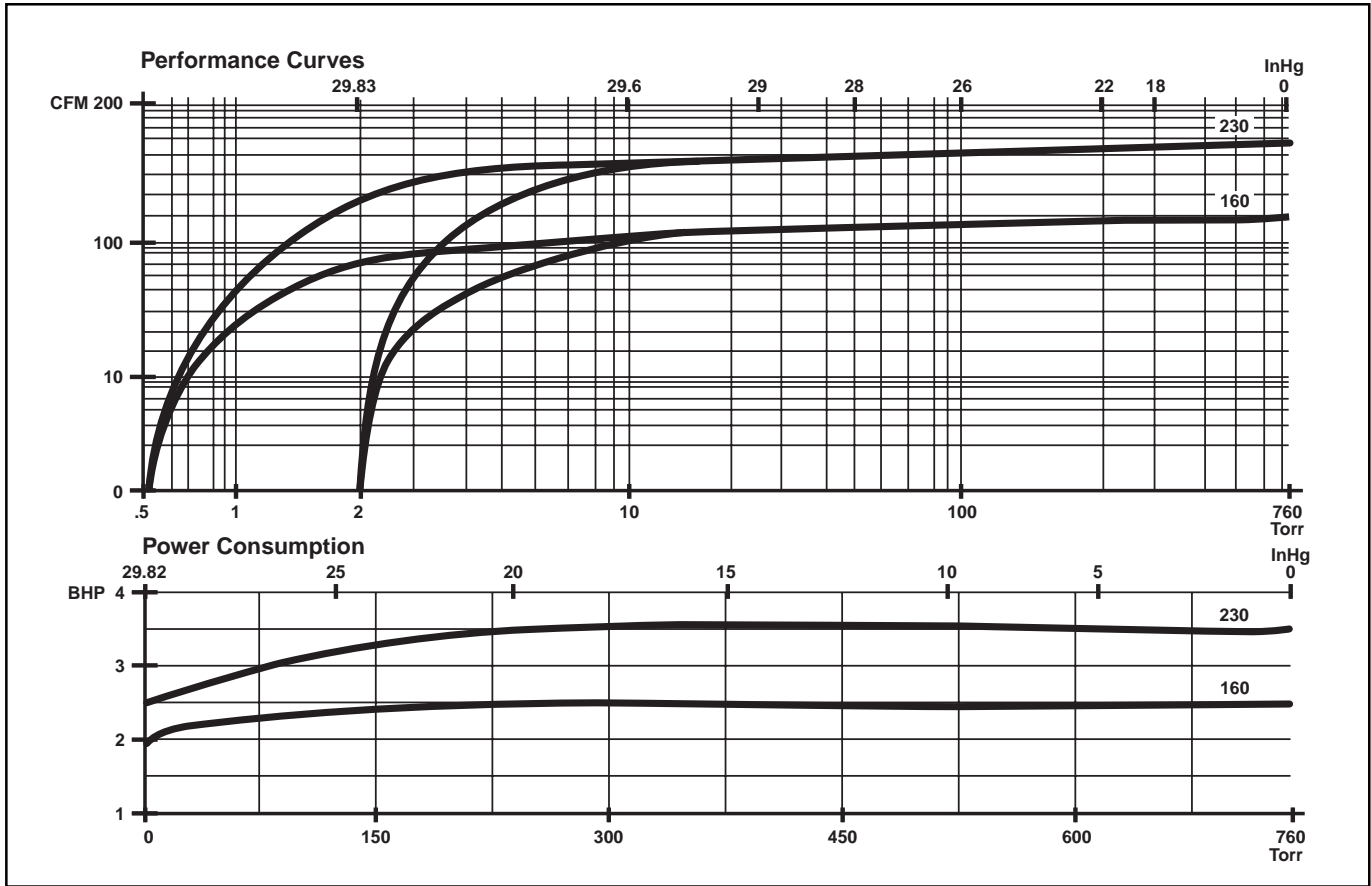
► This spec sheet was adapted for print from our website. Additional information and photos are available at [www.anver.com](http://www.anver.com). 2071401

36 Parmenter Road • Hudson MA 01749 USA • 978-568-0221 • 800-654-3500 • FAX 978-568-1570 • [www.anver.com](http://www.anver.com) • E-Mail: [sales@anver.com](mailto:sales@anver.com)



# Vacuum Pumps and Generators

## Medium Oil Lubricated Rotary Vane Vacuum Pumps



Model Number	Voltage	Free Air Displacement 60 Hz SCFM (l/m)	Motor Capacity (HP) 60 Hz	Sound Level dB	End. Vacuum Standard	Speed RPM	Oil Qty. Quarts	Shipping Weight lb (kg)
AFM160-230L	230	112 (3172)	5.0	73	2.0 Torr 29.84" Hg	1725	7.0	306 (139)
AFM160-230H	230	112 (3172)	5.0	73	0.5 Torr 29.90" Hg	1725	7.0	306 (139)
AFM160-460L	460	112 (3172)	5.0	73	2.0 Torr 29.84" Hg	1725	7.0	306 (139)
AFM160-460H	460	112 (3172)	5.0	73	0.5 Torr 29.90" Hg	1725	7.0	306 (139)
AFM230-230L	230	155 (4390)	7.5	74	2.0 Torr 29.84" Hg	1725	7.0	377 (171)
AFM230-230H	230	155 (4390)	7.5	74	0.5 Torr 29.90" Hg	1725	7.0	377 (171)
AFM230-460L	460	155 (4390)	7.5	74	2.0 Torr 29.84" Hg	1725	7.0	377 (171)
AFM230-460H	460	155 (4390)	7.5	74	0.5 Torr 29.90" Hg	1725	7.0	377 (171)

➤ This spec sheet was adapted for print from our website. Additional information and photos are available at [www.anver.com](http://www.anver.com). 2071401