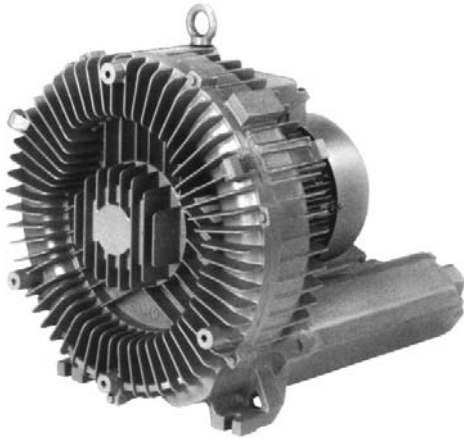


Vacuum Pumps and Generators

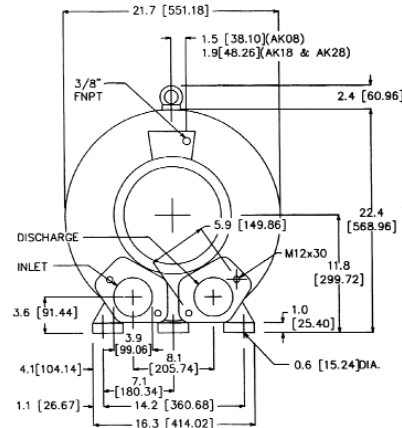
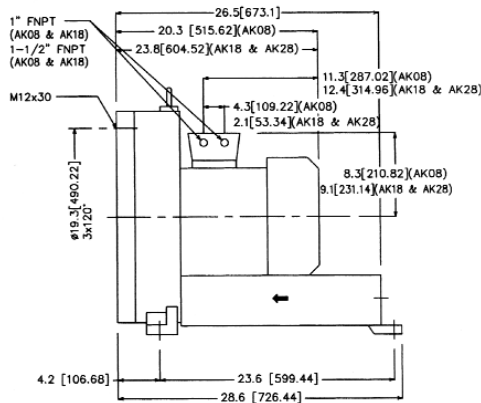
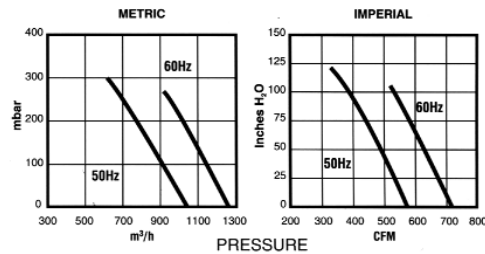
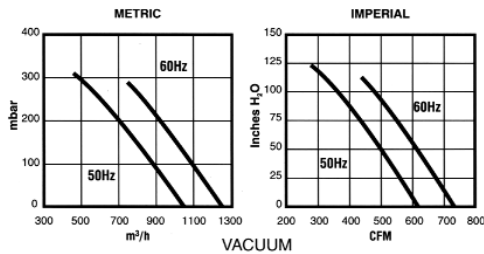


RB Series High Flow Regenerative Pump RB-735-08



Features:

- Cooler running, outboard bearing provides virtually maintenance-free operation in continuous duty service.
- Environmentally friendly oil-free design prevents downstream contamination of gas or components.
- Quiet operation; as low as 80 dB(A)
- Easily mounts in any axle orientation.
- Shock absorbing mounting plate design reduces transmission of vibration between process machinery and the blower.
- Thermal overload protection standard on all models.
- Equipped with high quality TEFC motors manufactured by Siemens, sized to match your operating requirements providing for superior power efficiency.
- IP54 with Class F insulation.
- Quality assured; manufactured in accordance with ISO 9001.
- UL Recognized, CE Compliant. DNE VDE 0530



| Hz | Voltage Range | Rated Amps | Rated HP | RPM | Maximum Vacuum in H ₂ O mbar | Maximum Pressure in H ₂ O mbar | Maximum Flow CFM m ³ /h | Net Weight lb kg |
|----|---------------|------------|----------|------|---|---|------------------------------------|------------------|
| 60 | 230/460 | 48.0/24.0 | 21 | 3600 | 116 (290) | 108 (270) | 735 (1250) | 420 (191) |
| 50 | 200-400 | 48.0/24.0 | 16.5 | 3000 | 124 (310) | 120 (300) | 617 (1050) | 420 (191) |

NOTES:

- A) Performance tolerance is ±10%.
- B) Performance curves are based on an air temperature of 60° F (15° C) at the inlet connection and 29.92 Hg abs (1013 mbar) at the discharge connection.
- Specification and performance data are subject to change without notice. Please contact factory for specification updates.

► This spec sheet was adapted for print from our website. Additional information and photos are available at www.anver.com. 9003301