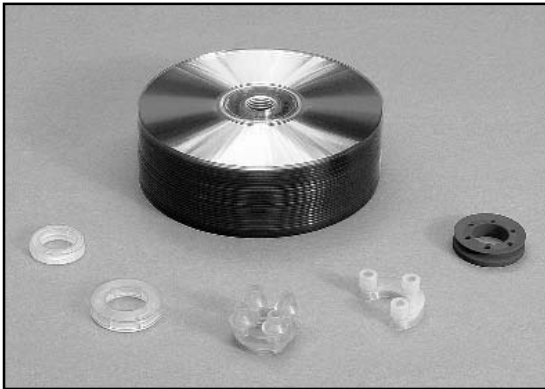


# Vacuum Cups & Suction Cups



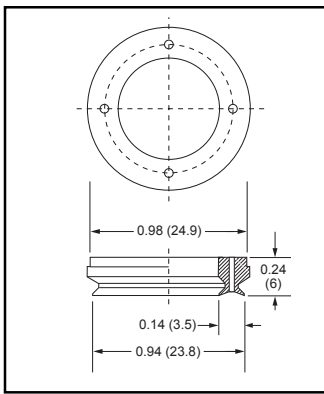
## CD Handling Suction Cups



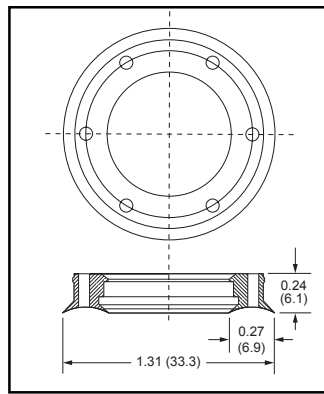
ANVER offers a wide range of Vacuum Cups and Specialty Suction Cups for the Optical Storage Media Industry. These small cups ( unloader discs ) offer maximum suction power while handling the sensitive and delicate surfaces on materials including:

CD-Audio, CD-ROM, DVD, CD-R, CD-RW, DVD-R, DVD-RW, Mo-Mini-Disc

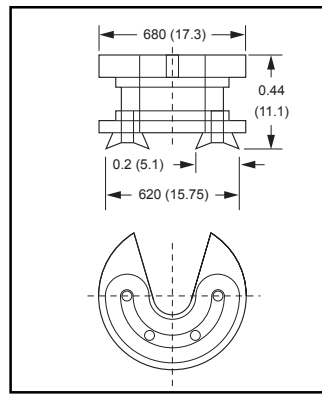
ANVER offers a full range of single cup, bellows, half ring and closed or full ring cups for pick and place robotic arms. These cups are used on a range of automatic packaging machines including EAM (USA), Heino Illsman (Germany), Gima (Italy), and Kyoto of (Japan). These vacuum suction cups have proven themselves, and are used worldwide in the CD manufacturing process.



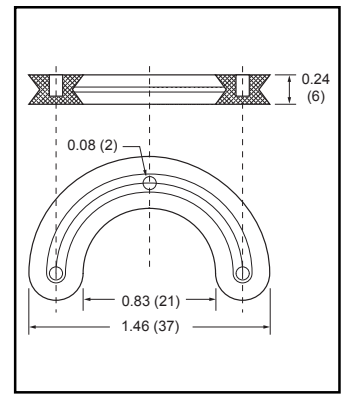
CD24-SIT



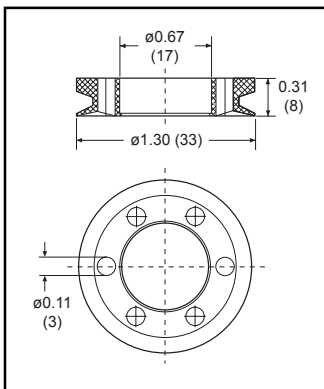
CD31-SIT



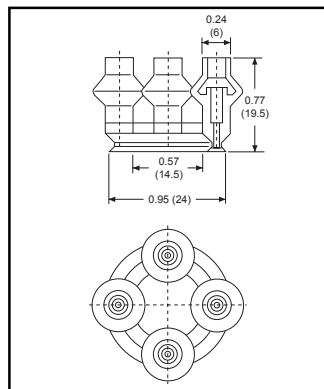
CDH17-SIT



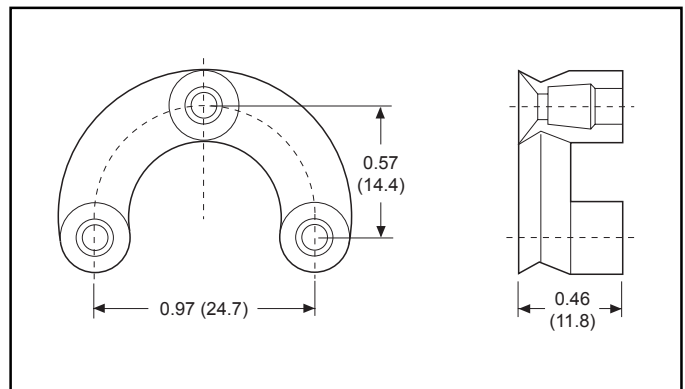
CDH37-SIT



AVR18-33-S45



CDB24-SIT



CD34-SIT

► This spec sheet was adapted for print from our website. Additional information and photos are available at [www.anver.com](http://www.anver.com). 2050301