

Vacuum Cups & Suction Cups

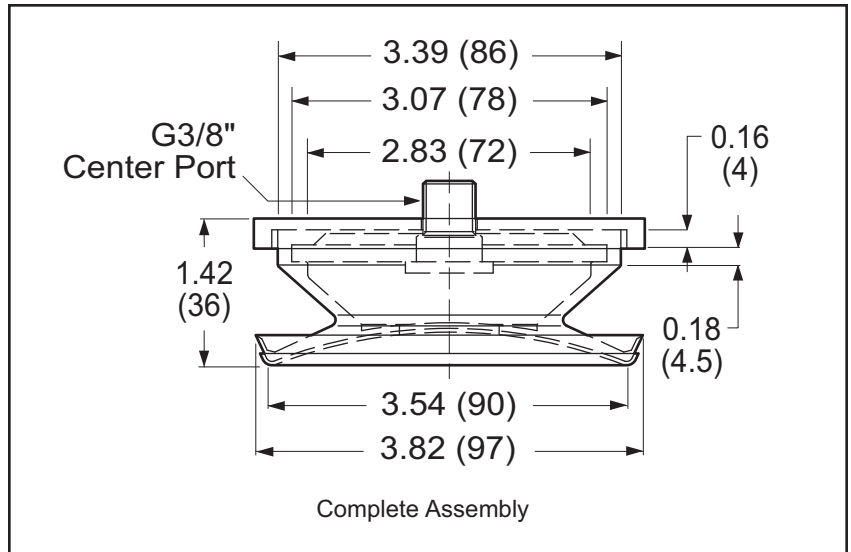
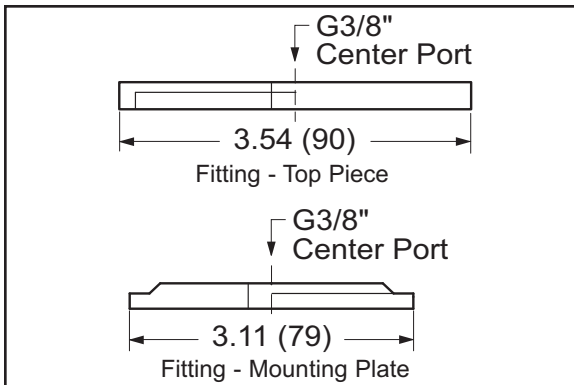


For High Temperature Glass Handling



High Temperature Suction Cups Capable of 752° F (400° C)

These suction cups are ideal for handling extremely hot materials like glass, for which they were designed. The suction pads can be used up to 752° F (400° C) for a short periods. Because of the special rubber FPM-F pad material and the heat resistant felt coating, the pads will not mark material surfaces. The large metal mounting plate firmly holds the rubber pad and makes for quick changes. It is recommended however, that extra pads and plate hardware be ordered for fast replacement. It takes longer for the pad to cool than it takes to replace it.



ANVER Item No.	Vacuum in N	Internal Volume in cm ³	Min. curvature radius R of surface in mm	Flex of sealing lip	Weight in kg	Required volume flow for -0.6 bar in m ³ /h
HTSP-90	230	66.5	250	16.5	0.255	3

ANVER Item No.	Description
HTSP-90-C	High Temp Suction Cup with Felt
24400306	Mounting Plate for HTSP-90 - G3/8"
24400307	Top-Piece Fitting for HTSP-90



► This spec sheet was adapted for print from our website. Additional information and photos are available at www.anver.com. 3020111