

Vacuum Cups & Suction Cups



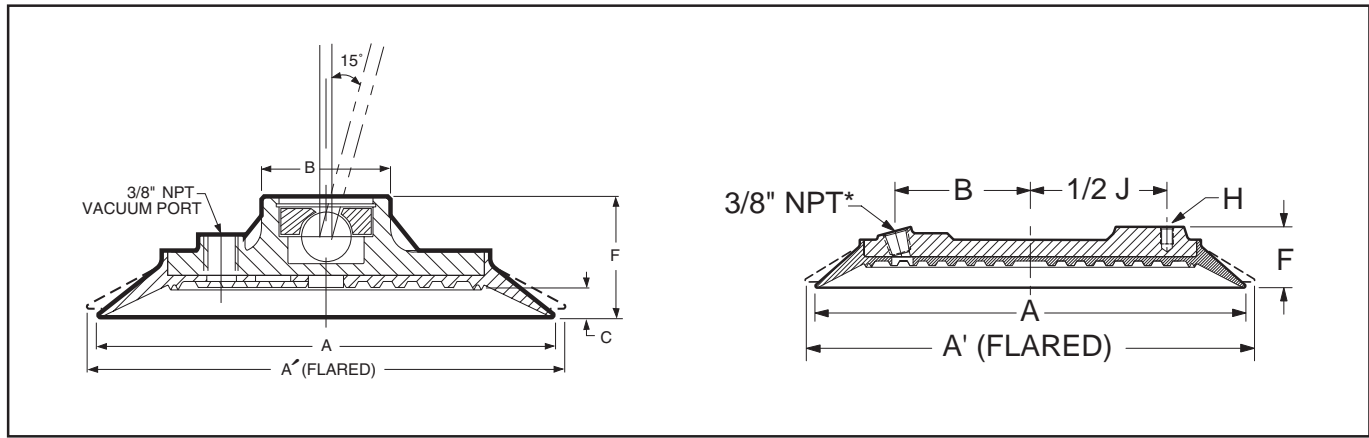
VC Series: VC95R-4, VC95Q, VC119-4, VC119Q and VC125Q-2



ANVER's Large Vacuum Cups with ball swivel mounting are excellent for handling large loads where it is necessary to compensate for uneven or wavy surfaces.

Features:

- Rugged construction designed for production use.
- Pivoting suspension rod adjusts to flexible or irregular loads.
- Two inside sealing edges make contact after vacuum is attained and become the main sealing edges for safety.
- Excellent for horizontal or vertical applications. For vertical applications, two or more rows of cups are recommended.
- Standard rubber is 40-45 Durometer Neoprene. Silicone available upon request.



| ANVER Item No. | A Dia. in. (mm) | A' Dia. in. (mm) | B Rim Width in. (mm) | F Height in. (mm) | C Flex in. (mm) | Vacuum Port | H Bolt Size | J Bolt Circle in. (mm) | *Rated Load lb. (kg) | Cup Weight lb. (kg) | Suspension Assembly Number |
|----------------|-----------------|------------------|----------------------|-------------------|-----------------|-------------|-------------|--------------------------------------|----------------------|---------------------|----------------------------|
| VC95R-4 | 9.75 (248) | 10.00 (254) | 2.75 (70) | 2.55 (65) | 0.66 (17) | 3/8" NPT | N/A | N/A | 250 (113) | 2.75 (1.25) | PS95S Series |
| VC95Q | 9.75 (248) | 10.00 (254) | 2.13 (54) | 1.55 (39) | 0.66 (17) | 3/8" NPT | 5/16-18 UNC | 4.5 (114) | 250 (113) | 2.75 (1.25) | PS95Q/C Series |
| VC119-4 | 12.25 (311) | 12.50 (318) | 2.75 (70) | 2.50 (64) | 0.50 (13) | 3/8" NPT | N/A | N/A | 500 (227) | 5.44 (2.47) | PS119S Series |
| VC119Q | 12.25 (311) | 12.50 (318) | 3.56 (90) | 1.63 (41) | 0.50 (13) | 3/8" NPT | 3/8-16 UNC | Inner 5.66 (144) Outer 8.00 (203) | 500 (227) | 5.44 (2.47) | Info to Come |
| VC125Q-2 | 12.75 (324) | 13.00 (330) | 4.00 (102) | 1.78 (45) | 0.65 (17) | 3/8" NPT | 3/8-16 UNC | 8.00 (203) | 500 (227) | Info to Come | PS125Q/C Series |

* The cup capacities shown above are based on 24"Hg at sea level with a safety factor of two (2) in the horizontal (flat), and four (4) in the vertical (upright).

Rated Load Capacities are estimated; actual capacity will vary based on the load surface and the level of vacuum.

► This spec sheet was adapted for print from our website. Additional information and photos are available at www.anver.com. 4031501