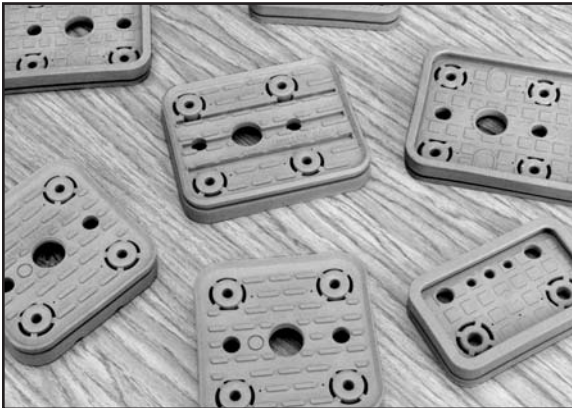


Vacuum Cups & Suction Cups



Vacuum Pod Covers



ANVER Vacuum Pod Covers are used for hold-down and clamping on Major European Woodworking Manufacturing Equipment.

ANVER AVP Series Vacuum Pod Covers Feature:

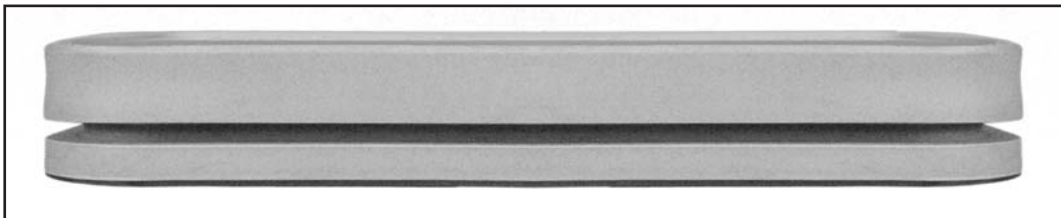
- Easy Slip-on Seals

Seal Material:

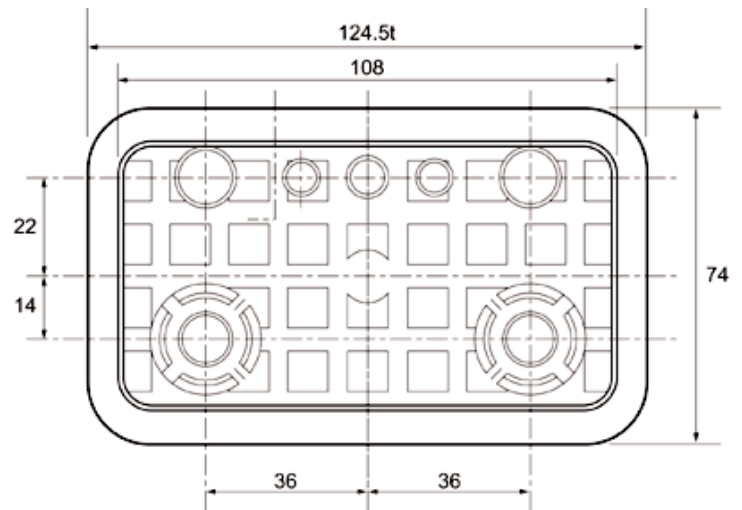
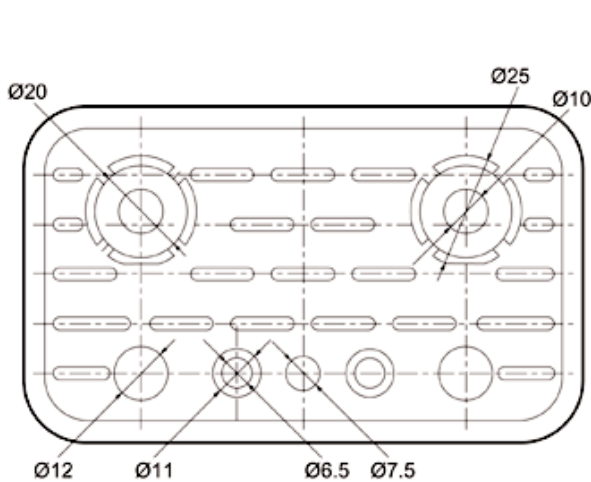
- TPU



ANVER Item No.	Description
AVP-72x122	Vacuum Pod Cover



Side View

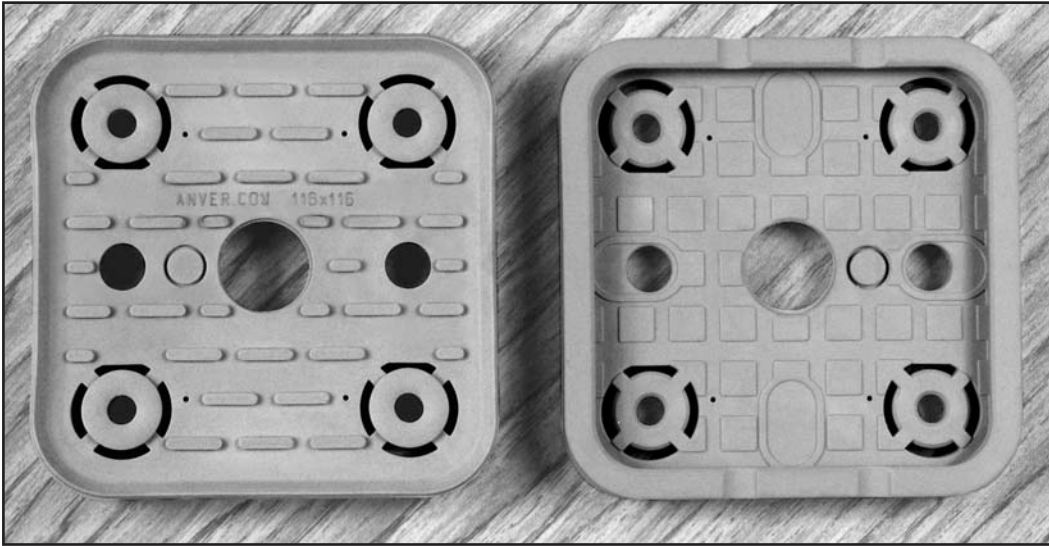


➔ This spec sheet was adapted for print from our website. Additional information and photos are available at www.anver.com. 7041501

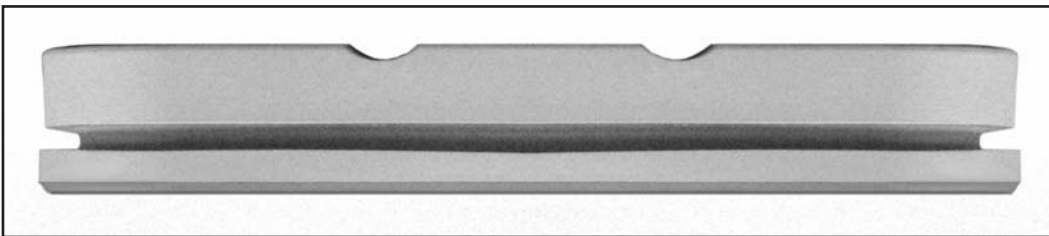
36 Parmenter Road • Hudson MA 01749 USA • 978-568-0221 • 800-654-3500 • FAX 978-568-1570 • www.anver.com • E-Mail: sales@anver.com

Vacuum Cups & Suction Cups

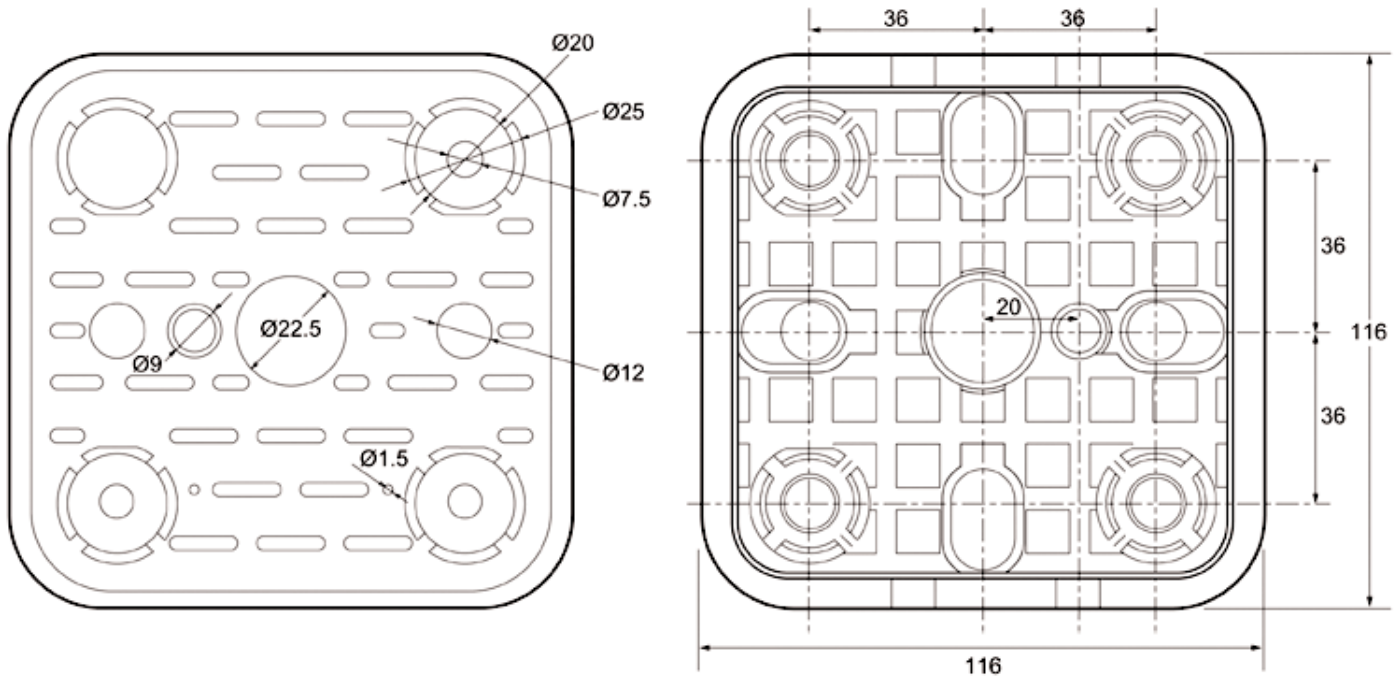
Vacuum Pod Covers



ANVER Item No.	Description
AVP-116x116	Vacuum Pod Cover

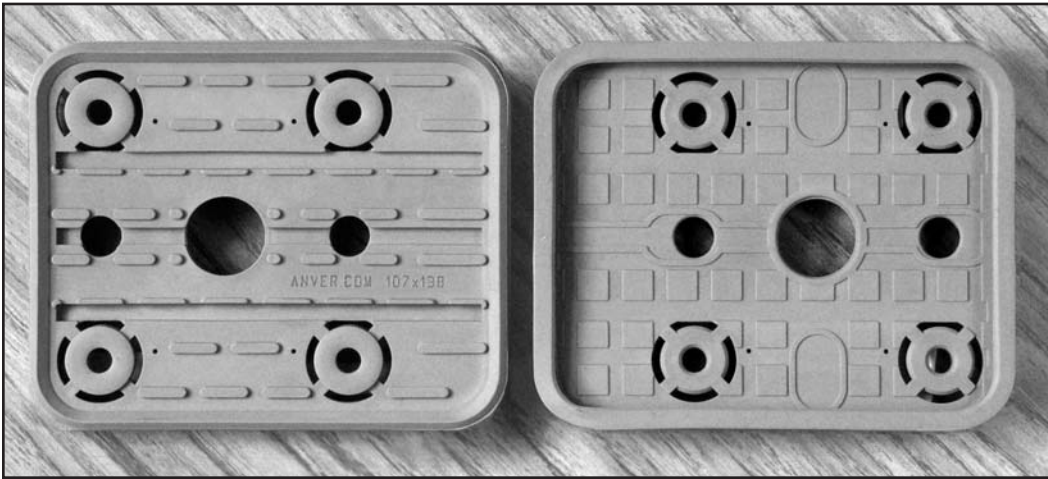


Side View

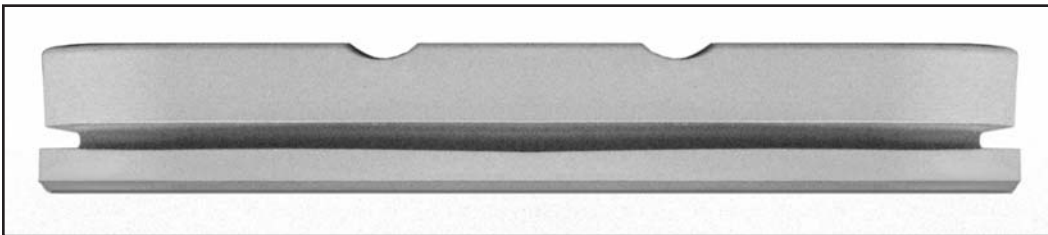


Vacuum Cups & Suction Cups

Vacuum Pod Covers



ANVER Item No.	Description
AVP-107x138	Vacuum Pod Cover



Side View

